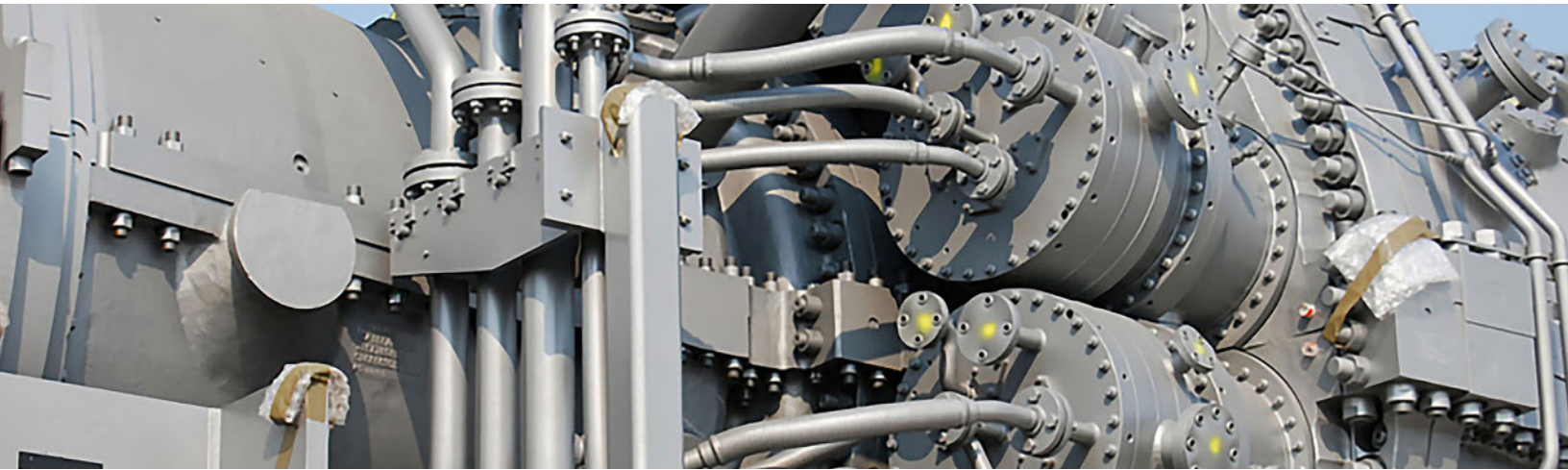


GAS TURBINE FUEL NOZZLES

New Manufacture and Refurbishment Experts



With over 150 years of combined experience, a worldwide leader in the repair and testing of gas turbine fuel nozzles for industrial and power generation customers.

Factory focused in repairing GE® gas turbine Frame 5 fuel nozzles, Frame 6 fuel nozzles, Frame 7 fuel nozzles, and Frame 9 fuel nozzles, including standard combustion, Multi-Nozzle Quiet Combustor (MNQC) and Dry Low NOx System (DLN) 1.0, 2.0 and 2.6.

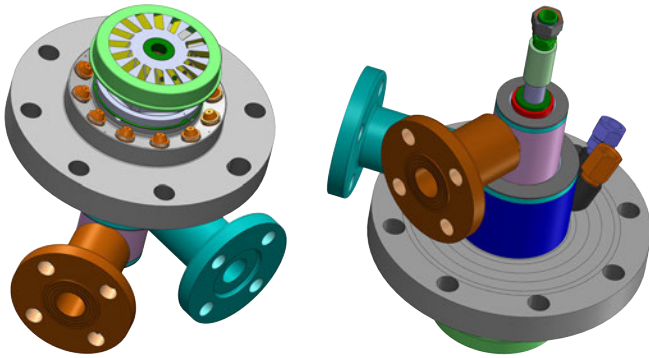
Our advanced engineering expertise combined with leading-edge equipment delivers reliable, extended life for new or refurbished fuel nozzle products. Lean manufacturing principles, and a commitment to quality improvement, maximizes customer value.

Fuel Nozzle Differentiators:

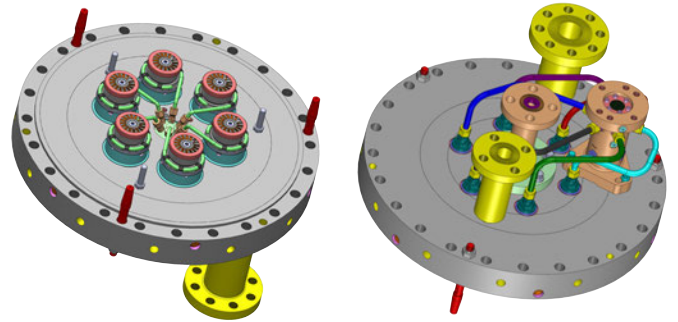
- We are able to maintain 50% tighter max tolerances than OEM published tolerances.
- Fuel Nozzle End Cover Insert Life Extension with our improved processes for 6FA DLN 2.0 and 7FA DLN 2.6 designs. It increases the life expectancy from the OEM claim of 48,000 hrs. to over 125,000 hrs. with a new maximum of 7 insert replacements per cover.
- On-site Portable In-Situ Air Flow Test Stand, determines gas turbine fuel nozzle performance while still remaining attached.
- We'd love to hear about your Gas Turbine Fuel Nozzle needs and work together to develop solutions.

MECHANICAL DYNAMICS & ANALYSIS

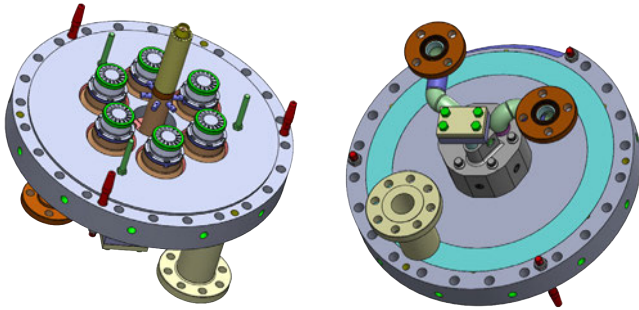
For more information on this product or service please contact MD&A at 864-721-4200 or www.mdaturbines.com



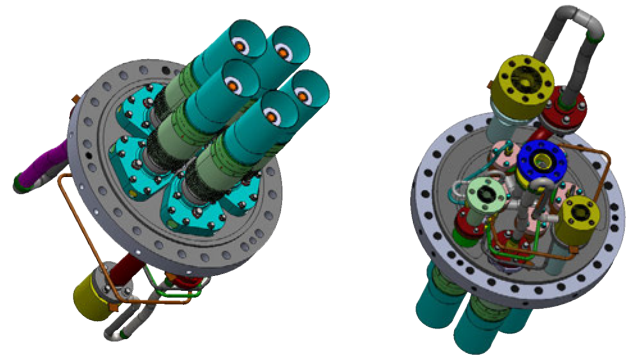
Standard Combustion



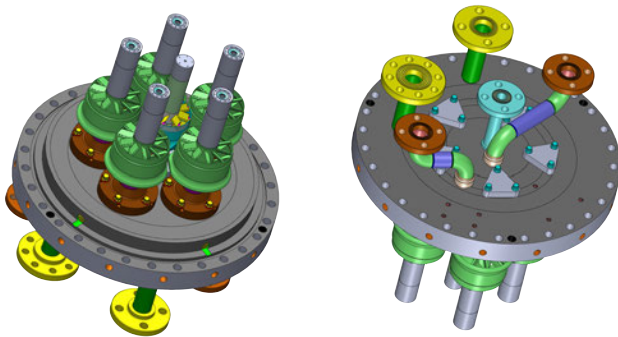
Multi-Nozzle Quiet Combustor (MNQC) Dual Fuel



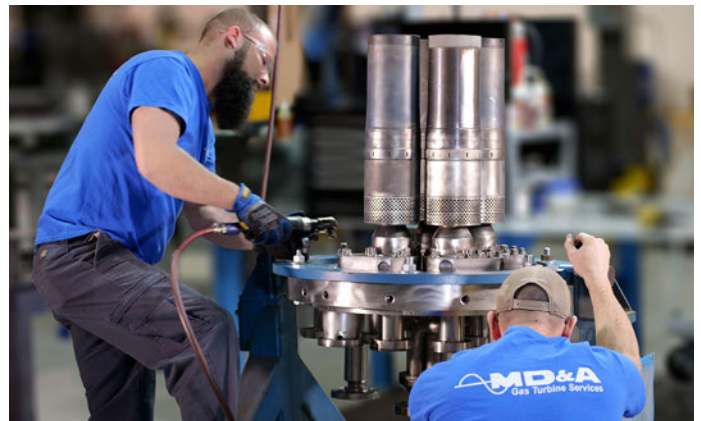
Dry Low NOx System (DLN) 1.0 - Primary & Secondary Fuel Nozzle Gas Only



Dry Low NOx System (DLN) 2.0 Swizzle Gas Only



Dry Low NOx System (DLN) 2.6 Gas Only



MECHANICAL DYNAMICS & ANALYSIS

150 Parkway West • Duncan SC 29334 • Ph: 864-721-4200 • www.MDAturbin.com

ICS
INTEGRATED COMBUSTION SOLUTIONS
a Division of MD&A